



ALPHA® PPD220 Series

Adaptive's Alpha PPD220 LED displays bring an entirely new dimension to your customer POS display needs. Large .7" (17.7mm) characters are more than 40% larger than typical POS customer displays, providing easier reading at the check-out counter.

Adaptive's LED displays last nearly 4 times longer than typical POS displays. MTBF (Mean Time Between Failure) for Adaptive's display is 80,000 hours, compared to 20,000 hours for typical VFD displays.

Adaptive's PPD220 is priced competitively, compared to displays much smaller in size and much lower in reliability.

Adaptive's unique design gives you all of these advantages in an attractive housing that is no taller than typical VFD displays.

Adaptive's 20 years of experience designing and manufacturing high quality LED message displays insures your satisfaction, and our support for many years to come.

Character Height Comparison

7.2mm 0.28 in.	11.3mm 0.44 in.	17.7mm 0.70 in.
Standard VFD Displays	Adaptive's Better Idea	

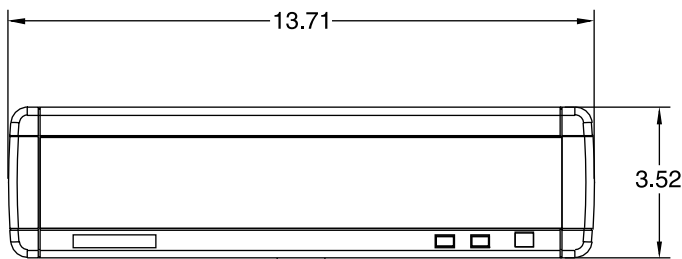
Actual Sizes

Standard Features

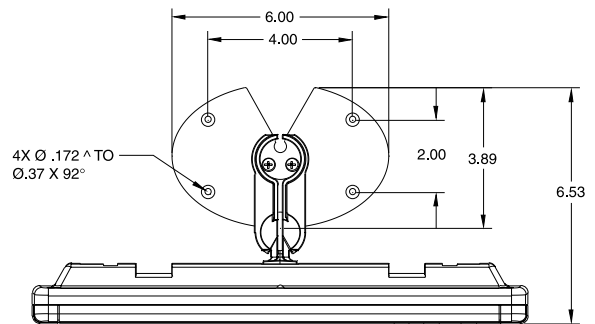
- Large .7" (17.7mm) characters
- Long Life—80,000 hours MTBF
- 2 Lines of 20 characters
- Available with red, green, or super bright red displays
- Available in black or computer grey housing
- RS232 interface
- Compatible with most standard POS display protocols

Alpha[®] PPD220 Specifications

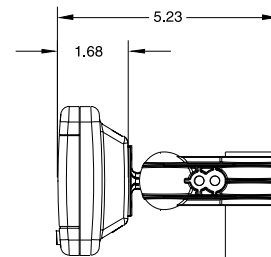
Alpha PPD220	Specifications
Display:	LED Display (red, green, or super bright red)
Number of Characters:	40 (2-lines of 20 characters)
Character Size:	0.70" (17.7mm) high by 0.50" (12.7mm) wide
Display Matrix:	120 pixels wide by 7 pixels high by 2 lines
Character Set:	Full English and International character set (upper and lower case)
Buffer Size:	7,000 characters
Interface:	RS232 & RS485 Serial
Reliability:	80,000 hours MTBF
Case Color:	Flat black or computer grey
EMC Standards:	FCC Class A, CE marking
Safety Standards:	ETL/ETLc/TUV (EN60950)
Power:	120VAC or 230/240VAC Adapter/approx. 15 watts
Mounting:	Pole mounting kit is included with plate for fixed counter mount. Display height, tilt and rotation can be adjusted for better viewing. Unit can also be wall mounted.



FRONT VIEW



TOP VIEW



SIDE VIEW